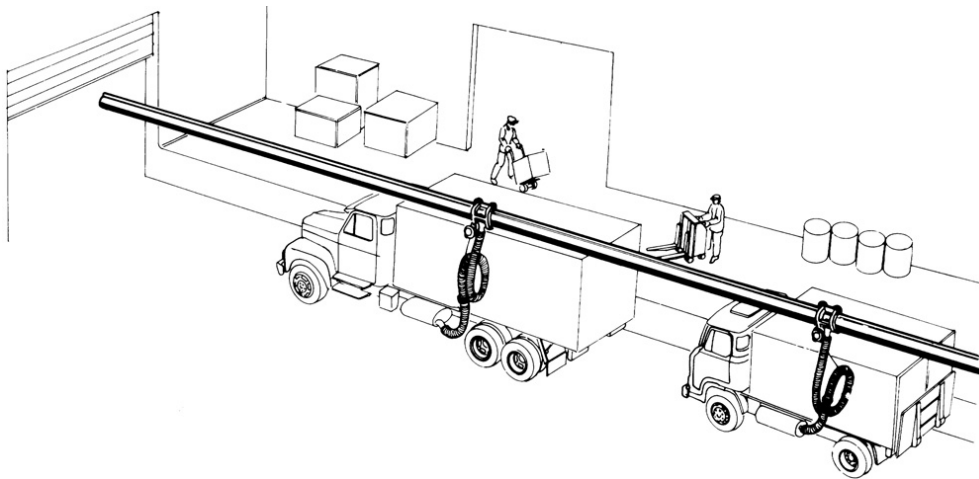


EXHAUST RAIL 34,8 M



Part No
84536

TECHNICAL DATA

EXHAUST RAIL 34,8 M

With wall brackets , connectors, rubber seal , end cover and trolley stop. Nozzles not included, order separately. We recommend nozzles with wise grip.

TECHNICAL DATA

Part No	84536
H.S. Code	76090000